



VOKSLYTE™

Merging the art of metal and the science of light

TANGENT-Shapes™ Geometric Forms

A new family of elegant and functional geometric luminaires. **Tangent Shapes** are available as hanging downlight pendants, as recessed luminaires or as uplight/down light pendants. Finishes can be provided in almost any commercially available powder-coated color. A choice of 2700°K, 3000°K, 3500°K and 4000°K high CRI (90+) Luminus® diodes are standard. Dimmable via 0-10 volt dimmers down to less than 5%. RGBW and Variable White are also available.



Perspective View

Flat View

Rhombus



Perspective View

Flat View

Ocular



Perspective View

Flat View

Ellipse



Perspective View

Flat View

Reuleaux Triangle



Perspective View

Flat View

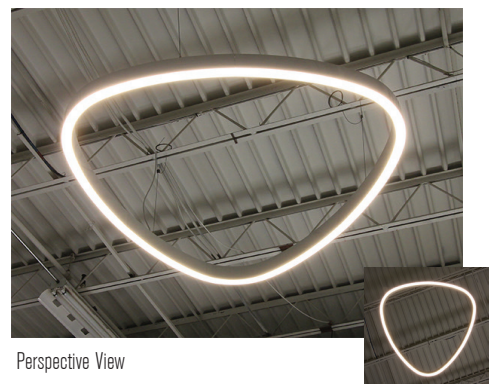
Wave



Perspective View

Flat View

Rounded Square



Perspective View

Flat View

Plectrum



VOKSLYTE™

Merging the art of metal and the science of light

TANGENT-Shapes™

- High quality heavy aluminum construction
- Highly light-transmissive translucent acrylic lens
- Available as a direct hanging pendant, a recessed mounted luminaire, or a direct/indirect pendant
- Long-life tightly binned Luminus LEDs (90+ CRI)
- Dimmable 0-10 constant-current drivers are integral to the luminaire (white LEDs only)
- Can be painted in almost any commercially available powder coat color
- Contractor-friendly replaceable LED boards and drivers
- Available in RGBW and variable white with remote constant voltage drivers
- UL dry and damp location listed
- **Chicago Plenum approved** for recessed mounting
- **Made in the USA**



Electrical Information

Input voltage: Universal

Dimming Information

Integral 0-10 constant current or remote constant voltage RGBW and variable white drivers will dim to 5% or less

Performance (3000°K White LEDs)






Shape	Tangent™ Down	Tangent™ UpDown	Efficacy	Watts
	Lumens	Lumens (up + down)		
Ellipse	6,016	12,032	66 lumens / watt	90
Ocular	4,512	9,024	66 lumens / watt	67
Plectrum	5,640	11,280	66 lumens / watt	84
Reuleaux Triangle	5,640	11,280	66 lumens / watt	84
Rhombus	5,389	10,778	66 lumens / watt	80
Rounded Square	5,264	10,528	66 lumens / watt	78
Wave	2,131	4,262	66 lumens / watt	32

Tangent™ Down and Tangent™ UpDown Shapes:

Use the following multiplication factors for these color temperatures:

27K	Incandescent 2700°K:	multiply by 0.95
30K	Warm White 3000°K:	multiply by 1
35K	Soft White 3500°K:	multiply by 1.05
40K	Cool White 4000°K:	multiply by 1.1

Ordering Information

	—		—		—		—	
Model Ellipse Ocular Plectrum Reuleaux Triangle Rhombus Rounded Square Wave		Mounting P - Pendant S - Surface mounted RE - Recessed* external flange RM - Recessed* mud flange UD - Direct / Indirect		LED Color 27K - Incandescent 30K - Warm White 35K - Soft White 40K - Cool White RGBW - Red/Green Blue/White VW - Variable White		Driver CCSO - Integral constant-current, standard-output for use with white LEDs DMX - Remotely located constant voltage for use with RGBW and variable white		Paint GB - Gloss black FB - Flat black GW - Gloss white FW - Flat white C - Custom color

Specifications are subject to change at manufacturer's discretion.



VOKSLYTE™

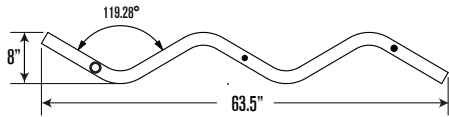
Merging the art of metal and the science of light

TANGENT-Shapes™

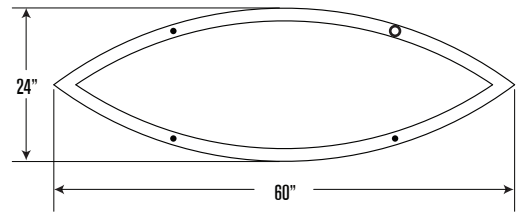
Dimensional Information

● = support point

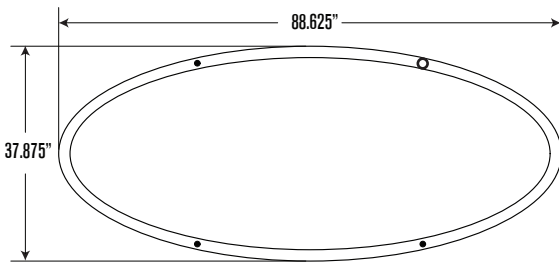
○ = power feed & support point



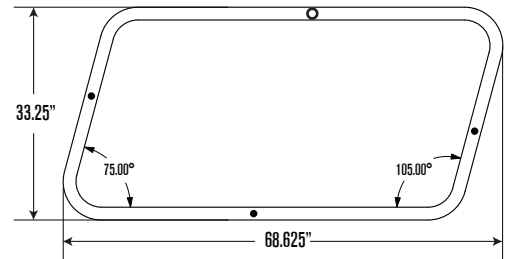
Wave



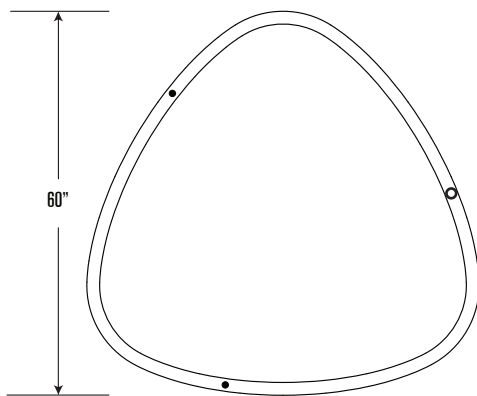
Ocular



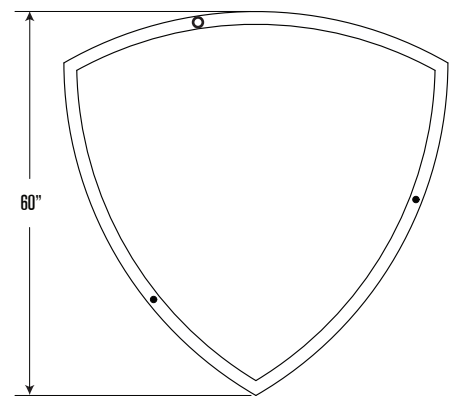
Ellipse



Rhombus



Plectrum



Reuleaux Triangle



VOKSLYTE™

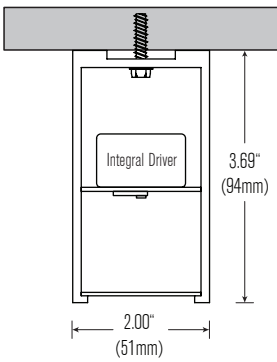
Merging the art of metal and the science of light

TANGENT-Shapes™

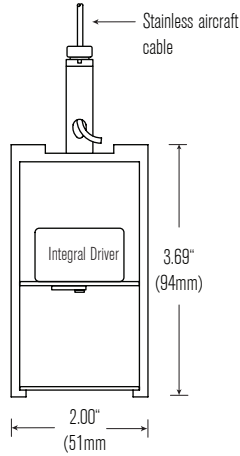
Luminaire Configurations & Mounting Options

TANGENT™ Down options

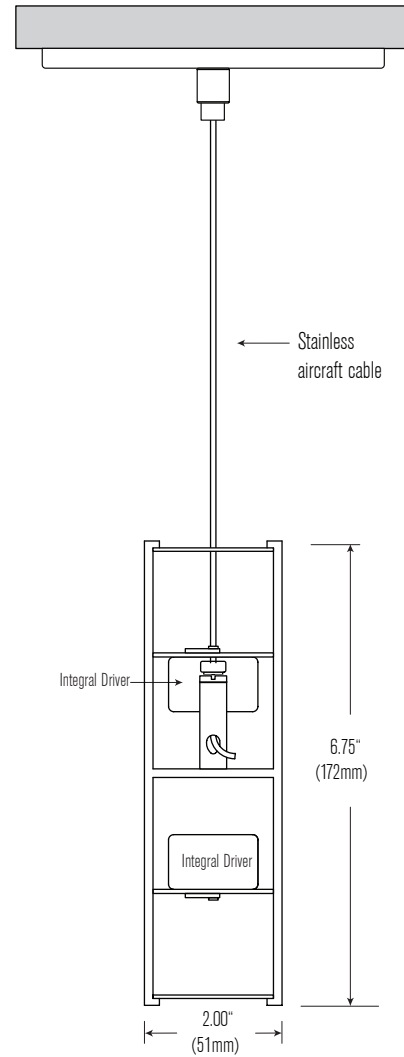
Surface



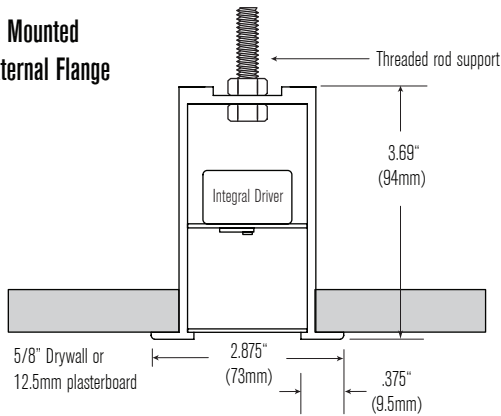
Pendant



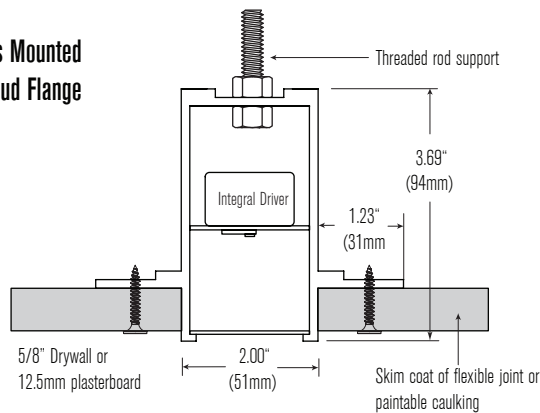
TANGENT™ UpDown option



Recess Mounted with External Flange



Recess Mounted with Mud Flange





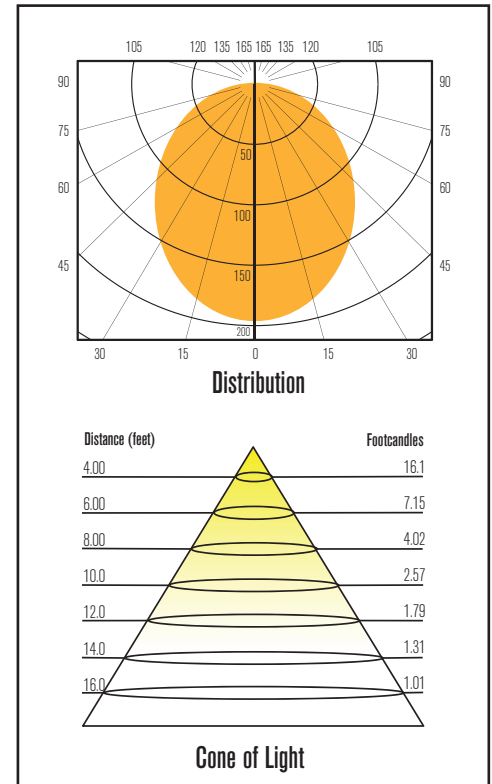
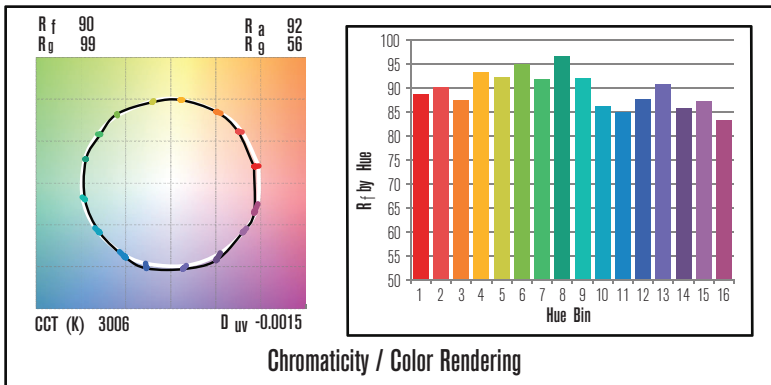
VOKSLYTE™

Merging the art of metal and the science of light

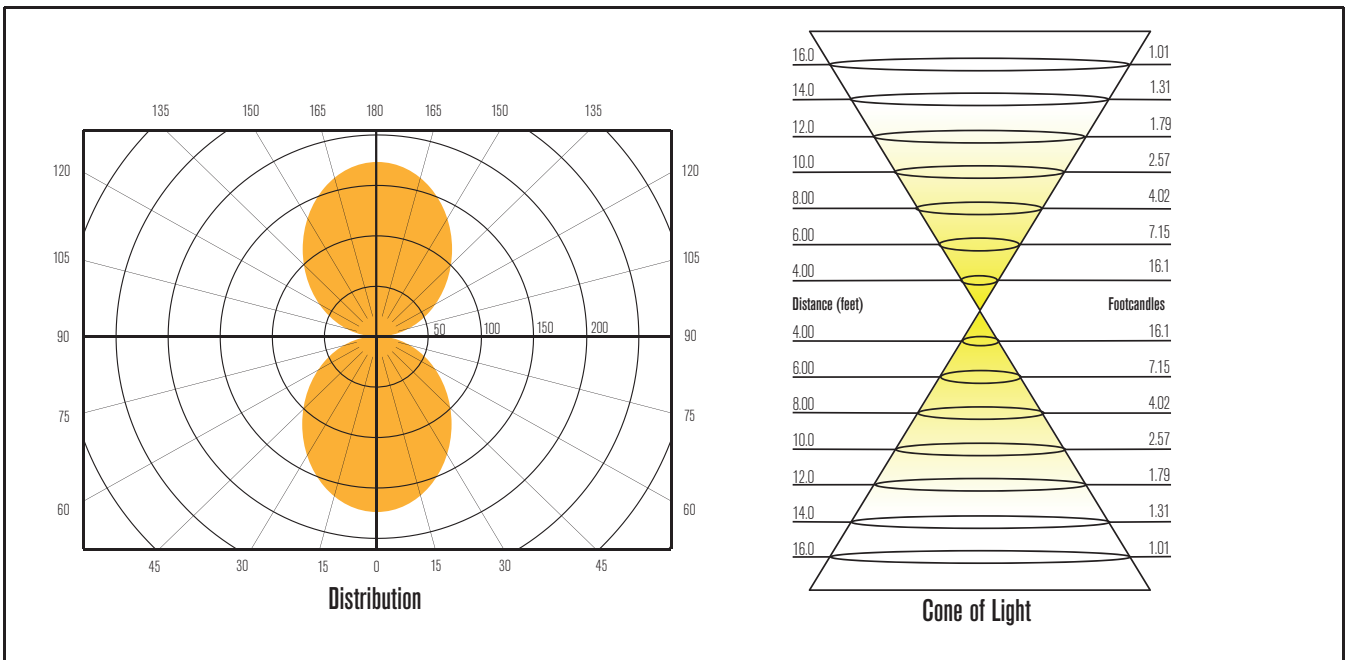
TANGENT-Shapes™

Photometric Information

IES files and full photometric reports are available for download on the VokSlyte website: <https://vokslite.com/photometry/>



Photometry above represents a 12-inch section of any of the Tangent™ Down Shapes luminaires.



Photometry above represents a 12-inch section of any of the Tangent™ UpDown Shapes luminaires.

Specifications

Luminaire - Extruded aluminum in baked powder coated finish as specified.

LED Light Engine - Luminus™ 2700°K, 3000°K, 3500°K, 4000°K or RGBW

Integral Driver - Constant current class 2 UL-8750 0-10 dimmable. Sound rated A - Complies with FCC 47 CFR Part 15.

Remote Driver - Constant voltage class 2 UL-Listed. 0-10 and DMX dimmable, Sound rated A - Complies with FCC 47 SW Part 15.