



VOKSLYTE™

Merging the art of metal and the science of light

TANGENT-UpDown™

Custom Uplight & Downlight Contours



Luminaire: Tangent Up Down Custom Pendants
Project: Guildford Town Center Mall • Vancouver, BC
Design: Musson Cattell Mackey Partnership • Pivotal Lighting Design

Tangent UpDown™ customizable lighting contours from VoksLyte™ are available in an almost infinite variety of shapes and sizes. These stunning sculptural luminaires can be furnished as large hanging pendants or smaller discreet luminaires. The only limitations are the breadth of the designer's creative imagination.

The 2-inch (51mm) wide by 6.75-inch (171mm) tall luminaires are extremely well designed. They sturdily and easily link together to form seamless circular, curved, elliptical, free-form or straight illuminated architectural forms. Light engine options are either standard output or high-output 50,000-hour LED in four high-efficacy Kelvin temperatures from 2700°K to 4000°K.

TANGENT-UpDown™

Custom Uplight & Downlight Contours

- High quality heavy aluminum construction
- Integral phase-dimmable dimmable electronic drivers
- Uplight and downlight LEDs are independently controllable
- Long-life tightly-binned Cree® diodes
- High light transmission translucent acrylic lens
- May be suspended as a pendant or wall-mounted
- An infinite variety of circular, elliptical, racetrack, straight, square, rectilinear or free form shapes
- Sections join together seamlessly to form almost any flowing organic or geometric shape
- Custom hanging or wall-mounted luminaires to exact dimensions and curvatures
- Extremely accurate tolerances
- 50,000 hour LED life
- Available in a variety of powder-coat colors
- Contractor-friendly replaceable LED boards and drivers
- Available in RGBW and Variable white (please contact the factory)
- Recessed versions are available in mud-in and exposed flange models
- Made in the USA



Dimensional Information

The tangent system is composed of segments which seamlessly join together. A multi-section luminaire has no maximum length.

However, the maximum length of each section is: 84 inches (2134 mm)
 Minimum arc length or straight length: 16 inches (406 mm)
 Minimum radius: 12 inches (305 mm)

Electrical Information

Input voltage: 120 (phase control drivers) or
 120-277 (0-10 volt control drivers)

Watt Consumption (includes uplight and downlight)

Standard Output Watt Consumption: 12 per foot / 39.4 per meter
 High Output Watt Consumption: 18 per foot / 59.1 per meter

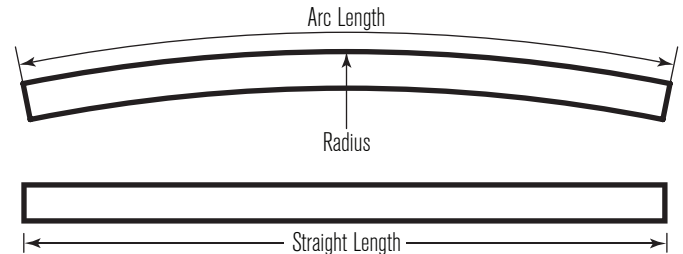
Drivers: Integral
 (remote drivers are available please contact the factory)

Dimming: Down to 10%

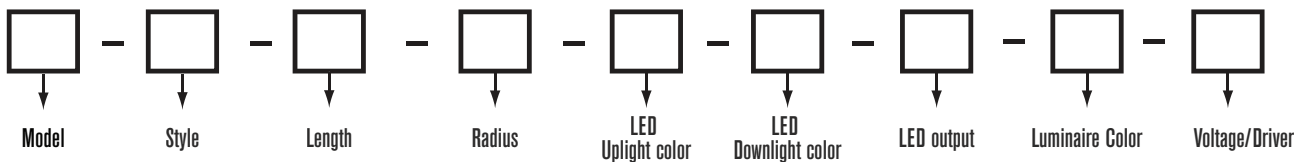
Please note: Tangent™ profiles may be bent or configured in a variety of different ways...more than can be shown in these catalog pages. Please feel free to contact the factory for unusual requests or unique design ideas. We are always happy to accommodate and work with you to make your concept a reality.

White LED Kelvin Temperatures (lumen values are for each uplight and downlight)

Cat. No.	Description	Standard Output		High Output	
		Lumens/ft	Efficacy	Lumens/ft	Efficacy
27K	Incandescent - 2700°K	393	66 lumens/watt	705	59 lumens/watt
30K	Warm white - 3000°K	485	85 lumens/watt	868	72 lumens/watt
35K	Soft white - 3500°K	514	86 lumens/watt	919	77 lumens/watt
40K	Cool white - 4200°K	548	91 lumens/watt	982	82 lumens/watt



ORDERING INFORMATION



TANULED
 (Tangent
 UpDown LED)

PC -
 Pendant
 cable mount

PS -
 Pendant
 stem mount

W -
 Wall Mount

Length in feet
 Please round up
 to the nearest
 whole inch ex:
75' 3"

Length in meters
 Please enter
 meters using two
 decimal digits
 followed by the
 suffix "m"
 ex: **22.10m**

Radius in inches
 Please round up to
 the nearest inch

Radius in millimeters
 Enter radius in
 millimeters followed
 by the suffix "mm"

If luminaire is to be
 straight, please use
 a **0** in this box

Please refer
 to the white
 LED Kelvin
 temperatures
 chart

Please see
 white
 LED Kelvin
 temperatures
 chart

SO -
 Standard output

HO -
 High output

W -
 Gloss white

B -
 Gloss black

C -
 Custom

120 - 120 volt phase dimmable
UNI - 120-277 volt 0-10 dimming

Please contact the factory for
 remote driver applications

Specifications are subject to change at manufacturer's discretion.



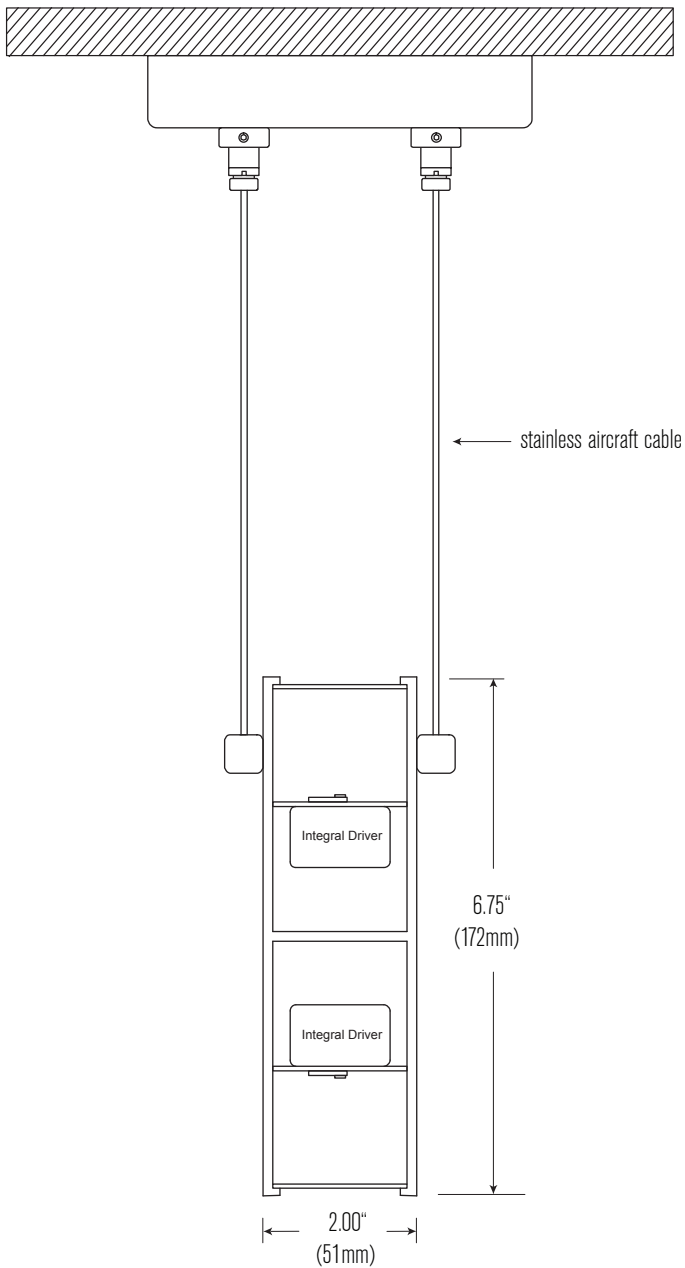
VOKSLYTE™

Merging the art of metal and the science of light

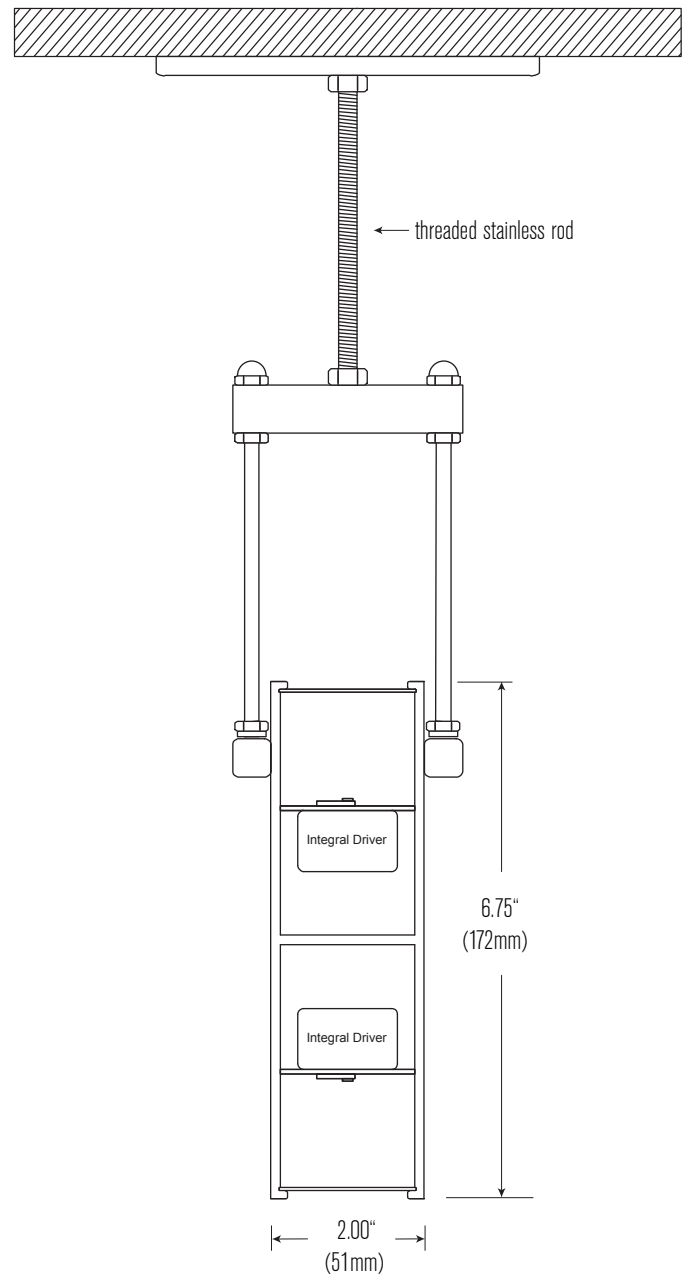
TANGENT-UpDown™

Custom Uplight / Downlight Contours • Pendant Mounting Options

Cable Mounted



Stem Mounted





VOKSLYTE™

Merging the art of metal and the science of light

TANGENT-UpDown™ Custom Uplight & Downlight Contours



Luminaire: Tangent UpDown
Project: Northwest YMCA • Austin, TX
Design: Runa Workshop

Specifications

Luminaire - Extruded aluminum in baked powder coated finish as specified. Fabricated to curvatures and/or lengths specified.

LED Light Engine - CREE® 2700°K, 3000°K, 3500°K or 4000°K

Driver - Constant current class 2 UL-recognized, phase or 0-10 dimmable. Sound rated A - Complies with FCC 47 CFR Part 15.

Lens - High light transmission translucent acrylic.