

# VOKSLYTE™

Merging the art of metal and the science of light

## TANGENT-Down™ Custom Downlight Contours



Luminaire: Tangent-Down Recessed Mounted  
Project: Apache Canada Headquarters • Calgary, Alberta  
Lighting Design: Archiluce  
Architect: Gensler, Dallas.

Tangent Down™ customizable lighting contours from VoksLyte™ are available in a variety of configurations. These beautiful sculptural luminaires can be supplied in recessed mounted, pendant and surface mounted versions. The discreet 2-inch (51mm) wide by 3 5/8-inch (92mm) tall luminaires provide phenomenal lighting performance and have been designed to sturdily and easily link together to form seamless circular, curved, elliptical, free-form or straight illuminated architectural forms. Light engine options are either standard-output or high-output 50,000-hour LED in four high-efficiency Kelvin temperatures from 2700°K to 4000°K.



# VOKSLYTE™

Merging the art of metal and the science of light

## TANGENT-Down™ Custom Downlight Contours

- High quality heavy aluminum construction
- Integral phase-dimmable or 0-10 volt dimmable electronic drivers
- Long-life tightly-binned Cree® diodes
- High light transmission translucent acrylic lens
- May be suspended as a pendant, recess mounted, or surface mounted
- An infinite variety of circular, elliptical, racetrack, straight, square, rectilinear or free form shapes
- Sections join together seamlessly to form almost any flowing organic or geometric shape
- Custom luminaires designed to exact dimensions and curvatures
- Extremely accurate tolerances
- 50,000 hour LED life
- Available in a wide variety of powder-coat colors
- Contractor-friendly replaceable LED boards and drivers
- Available in RGBW and Variable white (please contact the factory)
- Recessed versions are available in mud-in and exposed flange models
- Made in the USA



### Dimensional Information

The tangent system is composed of segments which seamlessly join together. A multi-section luminaire has no maximum length.

However, the maximum length of each section is: 84 inches (2134 mm)  
 Minimum arc length or straight length: 16 inches (406 mm)  
 Minimum radius: 12 inches (305 mm)

### Electrical Information

Input voltage: 120 (phase control drivers) or  
 120-277 (0-10 volt control drivers)

Standard Output Watt Consumption: 6 per foot / 19.7 per meter  
 High Output Watt Consumption: 9 per foot / 29.5 per meter

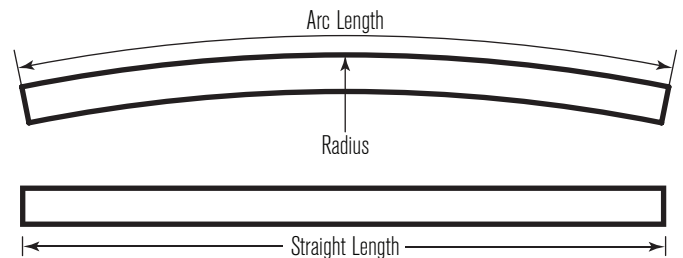
Drivers: Integral  
 (remote drivers are available please contact the factory)

Dimming: Down to 10%

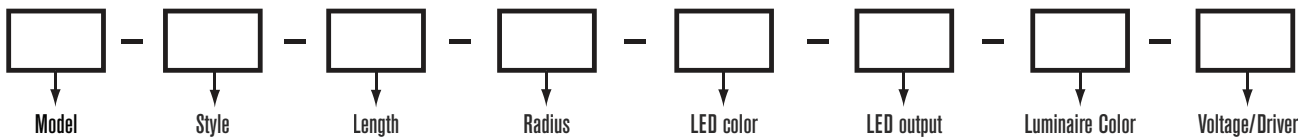
**Please note:** Tangent™ profiles may be bent or configured in a variety of different ways...more than can be shown in these catalog pages. Please feel free to contact the factory for unusual requests or unique design ideas. We are always happy to accommodate and work with you to make your concept a reality.

### White LED Kelvin Temperatures

Cat. No.	Description	Standard Output		High Output	
		Lumens/ft	Efficacy	Lumens/ft	Efficacy
27K	Incandescent - 2700°K	393	66 lumens/watt	705	59 lumens/watt
30K	Warm white - 3000°K	485	85 lumens/watt	868	72 lumens/watt
35K	Soft white - 3500°K	514	86 lumens/watt	919	77 lumens/watt
40K	Cool white - 4200°K	548	91 lumens/watt	982	82 lumens/watt



### ORDERING INFORMATION



**TANDED**  
(Tangent Down LED)

- P** - Pendant
- S** - Surface Mount
- F** - Recess Flange
- M** - Mud Flange

**Length in feet**  
Please round up to the nearest whole inch ex: 75' 3"

**Length in meters**  
Please enter meters using two decimal digits followed by the suffix "m" ex: 22.10m

**Radius in inches**  
Please round up to the nearest inch

**Radius in millimeters**  
Enter radius in millimeters followed by the suffix "mm"

If luminaire is to be straight, please use a 0 in this box

Please refer to the white LED Kelvin temperatures chart

- SO** - Standard output
- HO** - High output\*

\*Please contact factory for high-output Recess Flange and Mud Flange applications

- W** - Gloss white
- B** - Gloss black
- C** - Custom

**120** - 120 volt phase dimmable  
**UNI** - 120-277 volt 0-10 dimming

Please contact the factory for remote driver applications

Specifications are subject to change at manufacturer's discretion.

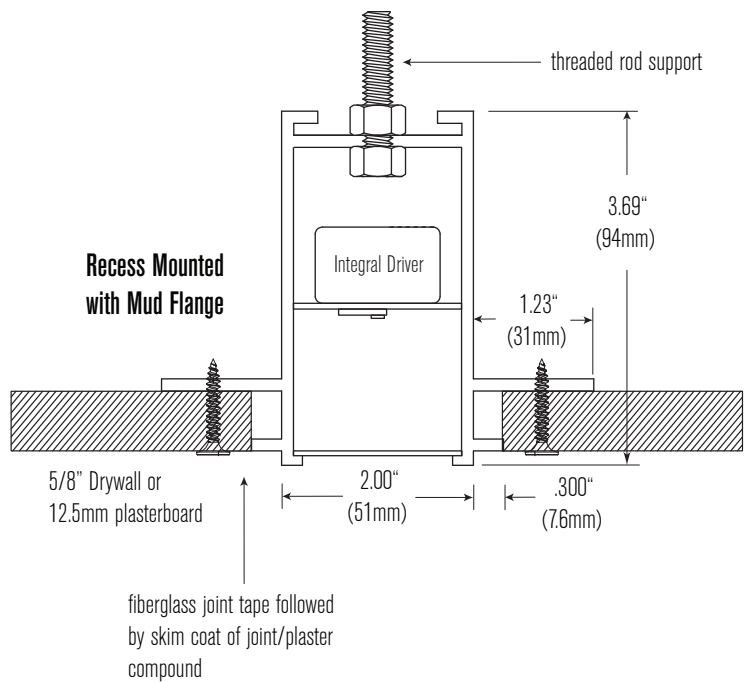
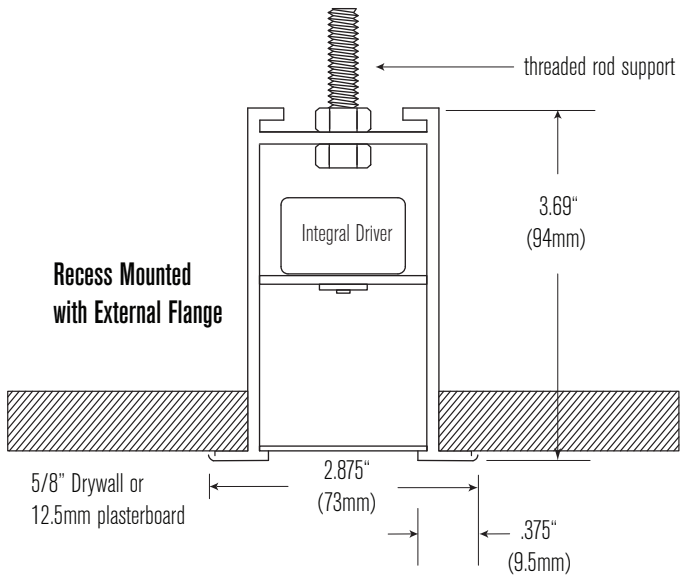
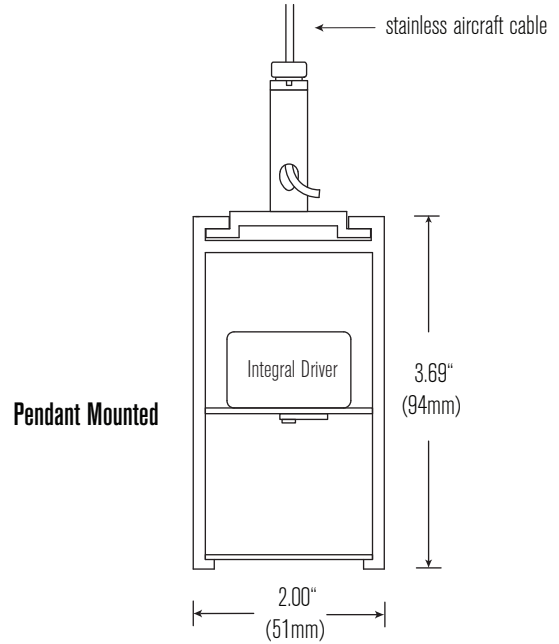
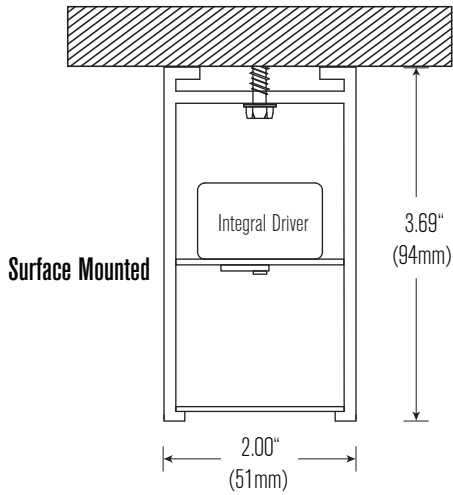


# VOKSLYTE™

Merging the art of metal and the science of light

## TANGENT-Down™

### Custom Downlight Contours • Mounting Options





# VOKSLYTE™

Merging the art of metal and the science of light

## TANGENT-Down™

Custom Downlight Contours



Luminaire: Tangent Down  
Project: North Hills Tower II • Durham, NC  
Design: Cline Bettridge Bernstein Lighting Design & Duda Paine Architects

### Specifications

**Luminaire** - Extruded aluminum in baked powder coated finish as specified. Fabricated to curvatures and/or lengths specified.

**LED Light Engine** - CREE® 2700°K, 3000°K, 3500°K or 4000°K

**Driver** - Constant current class 2 UL-recognized, phase or 0-10 dimmable. Sound rated A - Complies with FCC 47 CFR Part 15.

**Lens**- High light transmission translucent acrylic.