



VOKSLYTE™

Merging the art of metal and the science of light

TANGENT-Shapes™ Geometric Forms

A new family of elegant and functional geometric luminaires. **Tangent Shapes** are available as hanging downlight pendants, as recessed luminaires or as uplight/down light pendants. Finishes can be provided in almost any commercially available powder-coated color. A choice of 2700°K, 3000°K, 3500°K and 4000°K high CRI (90+) Luminus® diodes are standard. Dimmable via 0-10 volt dimmers down to less than 5%. RGBW and Variable White are also available.



Wave





VOKSLYTE™

Merging the art of metal and the science of light

TANGENT-Shapes™ Geometric Forms

A new family of elegant and functional geometric luminaires. **Tangent Shapes** are available as hanging downlight pendants, as recessed luminaires or as uplight/down light pendants. Finishes can be provided in almost any commercially available powder-coated color. A choice of 2700°K, 3000°K, 3500°K and 4000°K high CRI (90+) Luminus® diodes are standard. Dimmable via 0-10 volt dimmers down to less than 5%. RGBW and Variable White are also available.



Plectrum





VOKSLYTE™

Merging the art of metal and the science of light

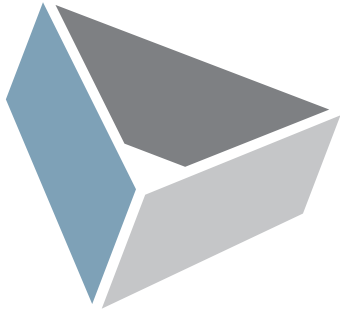
TANGENT-Shapes™ Geometric Forms

A new family of elegant and functional geometric luminaires. **Tangent Shapes** are available as hanging downlight pendants, as recessed luminaires or as uplight/down light pendants. Finishes can be provided in almost any commercially available powder-coated color. A choice of 2700°K, 3000°K, 3500°K and 4000°K high CRI (90+) Luminus® diodes are standard. Dimmable via 0-10 volt dimmers down to less than 5%. RGBW and Variable White are also available.



Ocular





VOKSLYTE™

Merging the art of metal and the science of light

TANGENT-Shapes™ Geometric Forms

A new family of elegant and functional geometric luminaires. **Tangent Shapes** are available as hanging downlight pendants, as recessed luminaires or as uplight/down light pendants. Finishes can be provided in almost any commercially available powder-coated color. A choice of 2700°K, 3000°K, 3500°K and 4000°K high CRI (90+) Luminus® diodes are standard. Dimmable via 0-10 volt dimmers down to less than 5%. RGBW and Variable White are also available.



Rounded Square





VOKSLYTE™

Merging the art of metal and the science of light

TANGENT-Shapes™ Geometric Forms

A new family of elegant and functional geometric luminaires. **Tangent Shapes** are available as hanging downlight pendants, as recessed luminaires or as uplight/down light pendants. Finishes can be provided in almost any commercially available powder-coated color. A choice of 2700°K, 3000°K, 3500°K and 4000°K high CRI (90+) Luminus® diodes are standard. Dimmable via 0-10 volt dimmers down to less than 5%. RGBW and Variable White are also available.



Rhombus





VOKSLYTE™

Merging the art of metal and the science of light

TANGENT-Shapes™ Geometric Forms

A new family of elegant and functional geometric luminaires. **Tangent Shapes** are available as hanging downlight pendants, as recessed luminaires or as uplight/down light pendants. Finishes can be provided in almost any commercially available powder-coated color. A choice of 2700°K, 3000°K, 3500°K and 4000°K high CRI (90+) Luminus® diodes are standard. Dimmable via 0-10 volt dimmers down to less than 5%. RGBW and Variable White are also available.



Reuleaux Triangle





VOKSLYTE™

Merging the art of metal and the science of light

TANGENT-Shapes™ Geometric Forms

A new family of elegant and functional geometric luminaires. **Tangent Shapes** are available as hanging downlight pendants, as recessed luminaires or as uplight/down light pendants. Finishes can be provided in almost any commercially available powder-coated color. A choice of 2700°K, 3000°K, 3500°K and 4000°K high CRI (90+) Luminus® diodes are standard. Dimmable via 0-10 volt dimmers down to less than 5%. RGBW and Variable White are also available.



Ellipse





VOKSLYTE™

Merging the art of metal and the science of light

TANGENT-Shapes™

- High quality heavy aluminum construction
- Highly light-transmissive translucent acrylic lens
- Available as a direct hanging pendant, a recessed mounted luminaire, or a direct/indirect pendant
- Long-life tightly binned Luminus LEDs (90+ CRI)
- Dimmable 0-10 constant-current drivers are integral to the luminaire (white LEDs only)
- Can be painted in almost any commercially available powder coat color
- Contractor-friendly replaceable LED boards and drivers
- Available in RGBW and variable white with remote constant voltage drivers
- UL dry and damp location listed
- **Chicago Plenum approved** for recessed mounting
- **Made in the USA**



Electrical Information

Input voltage: Universal

Dimming Information

Integral 0-10 constant current or remote constant voltage RGBW and variable white drivers will dim to 5% or less

Performance (3000°K White LEDs)

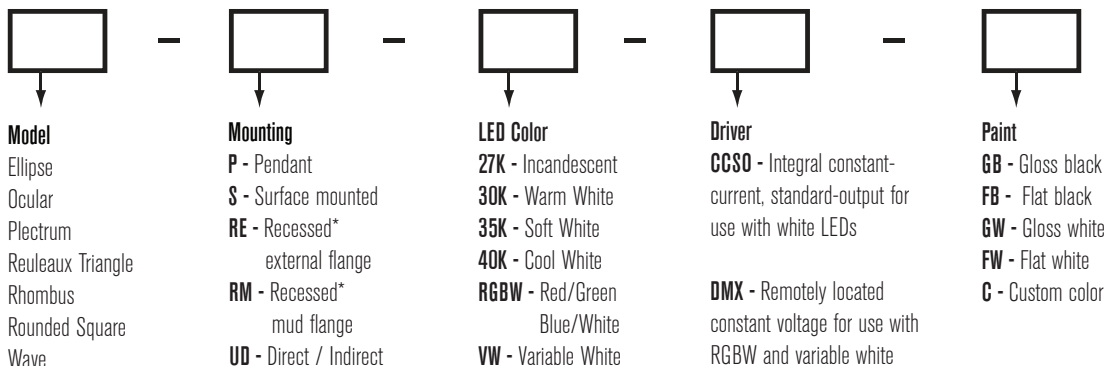
Shape	Tangent™		Efficacy	Watts
	Down	UpDown		
Ellipse	Lumens: 6,016	Lumens (up + down): 12,032	66 lumens / watt	90
Ocular	Lumens: 4,512	Lumens (up + down): 9,024	66 lumens / watt	67
Plectrum	Lumens: 5,640	Lumens (up + down): 11,280	66 lumens / watt	84
Reuleaux Triangle	Lumens: 5,640	Lumens (up + down): 11,280	66 lumens / watt	84
Rhombus	Lumens: 5,389	Lumens (up + down): 10,778	66 lumens / watt	80
Rounded Square	Lumens: 5,264	Lumens (up + down): 10,528	66 lumens / watt	78
Wave	Lumens: 2,131	Lumens (up + down): 4,262	66 lumens / watt	32

Tangent™ Down and Tangent™ UpDown Shapes:

Use the following multiplication factors for these color temperatures:

- 27K** Incandescent 2700°K: multiply by **0.95**
- 30K** Warm White 3000°K: multiply by **1**
- 35K** Soft White 3500°K: multiply by **1.05**
- 40K** Cool White 4000°K: multiply by **1.1**

Ordering Information



Specifications are subject to change at manufacturer's discretion.



VOKSLYTE™

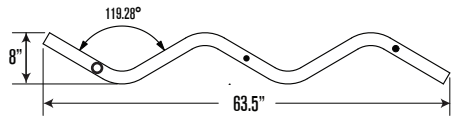
Merging the art of metal and the science of light

TANGENT-Shapes™

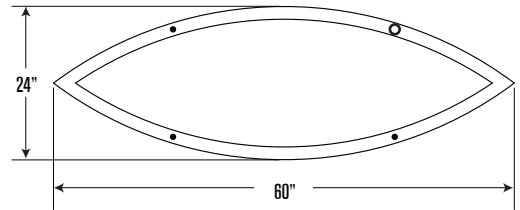
Dimensional Information

● = support point

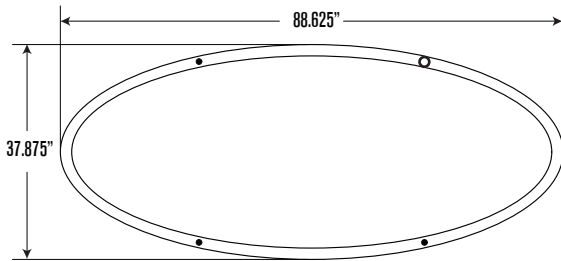
○ = power feed & support point



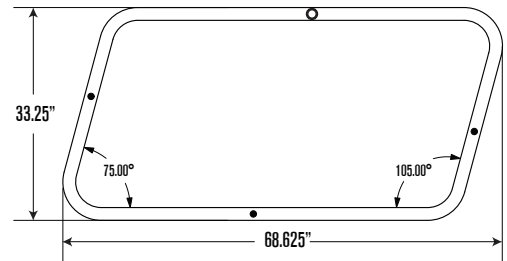
Wave



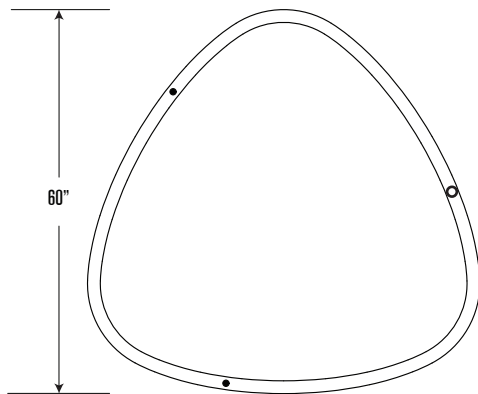
Ocular



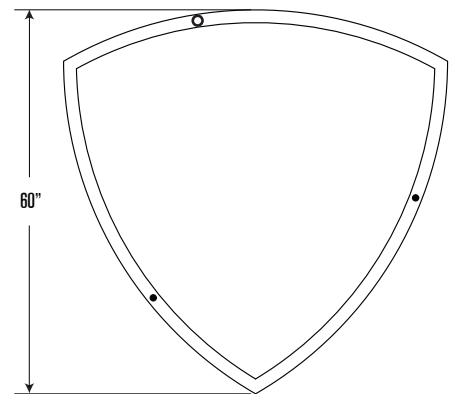
Ellipse



Rhombus



Plectrum



Reuleaux Triangle



VOKSLYTE™

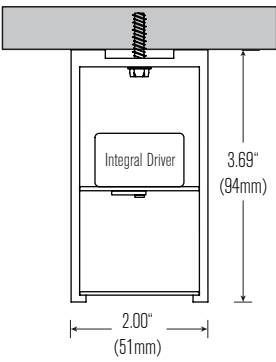
Merging the art of metal and the science of light

TANGENT-Shapes™

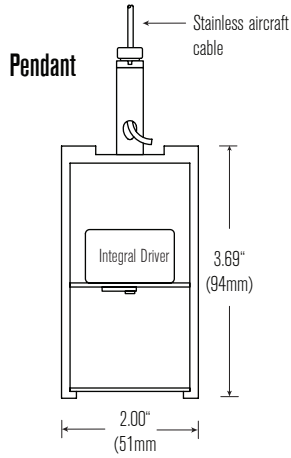
Luminaire Configurations & Mounting Options

TANGENT™ Down options

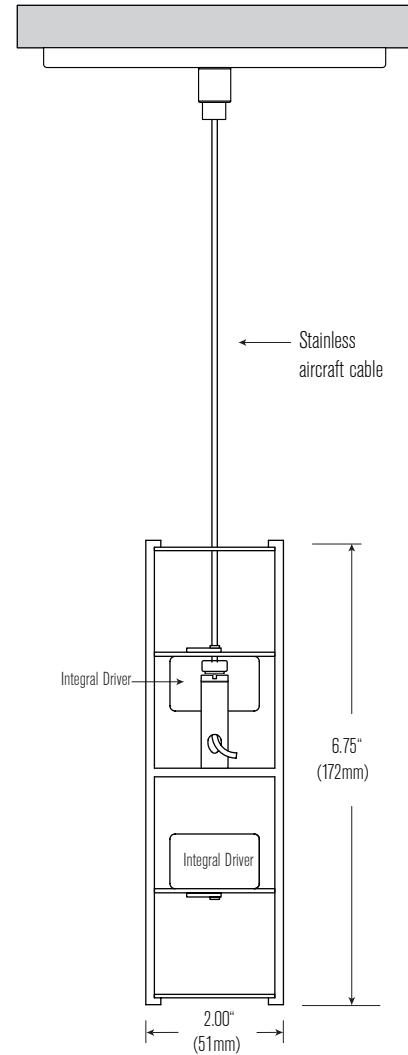
Surface



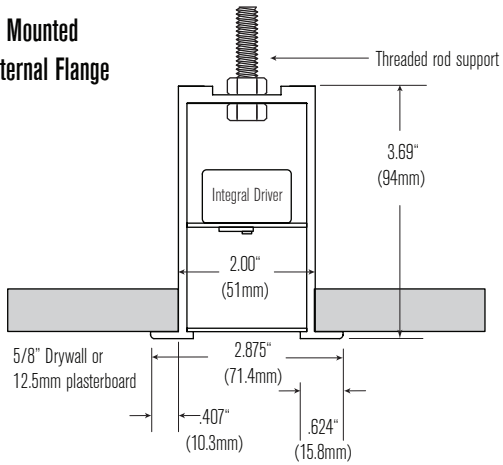
Pendant



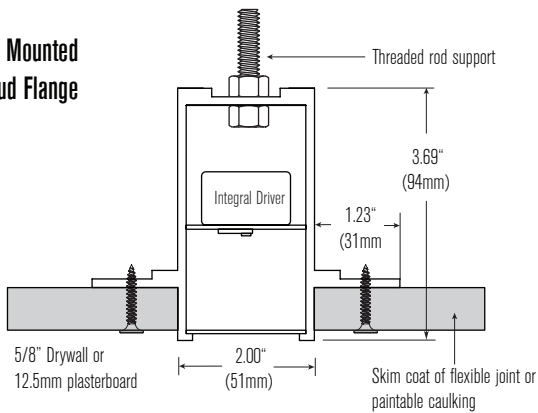
TANGENT™ UpDown option



Recess Mounted with External Flange



Recess Mounted with Mud Flange





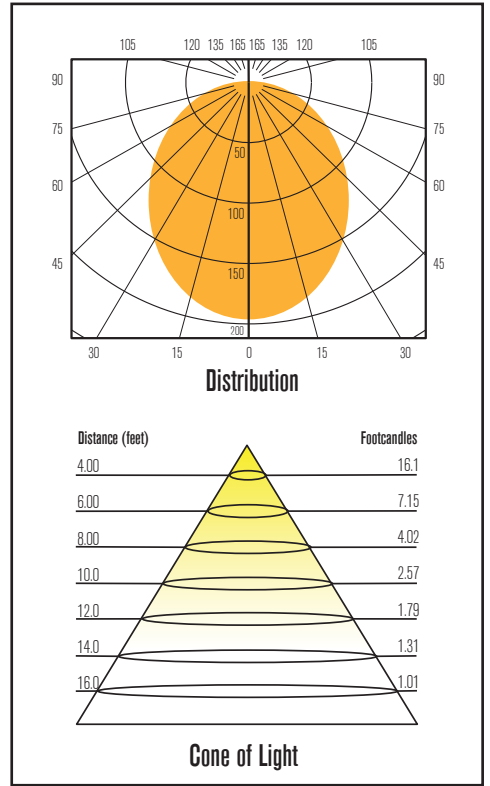
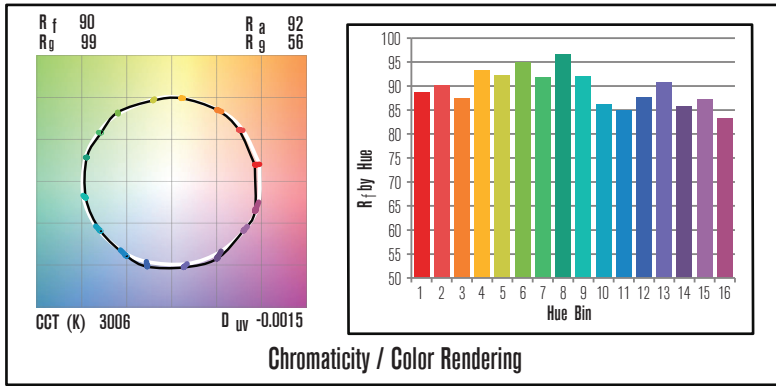
VOKSLYTE™

Merging the art of metal and the science of light

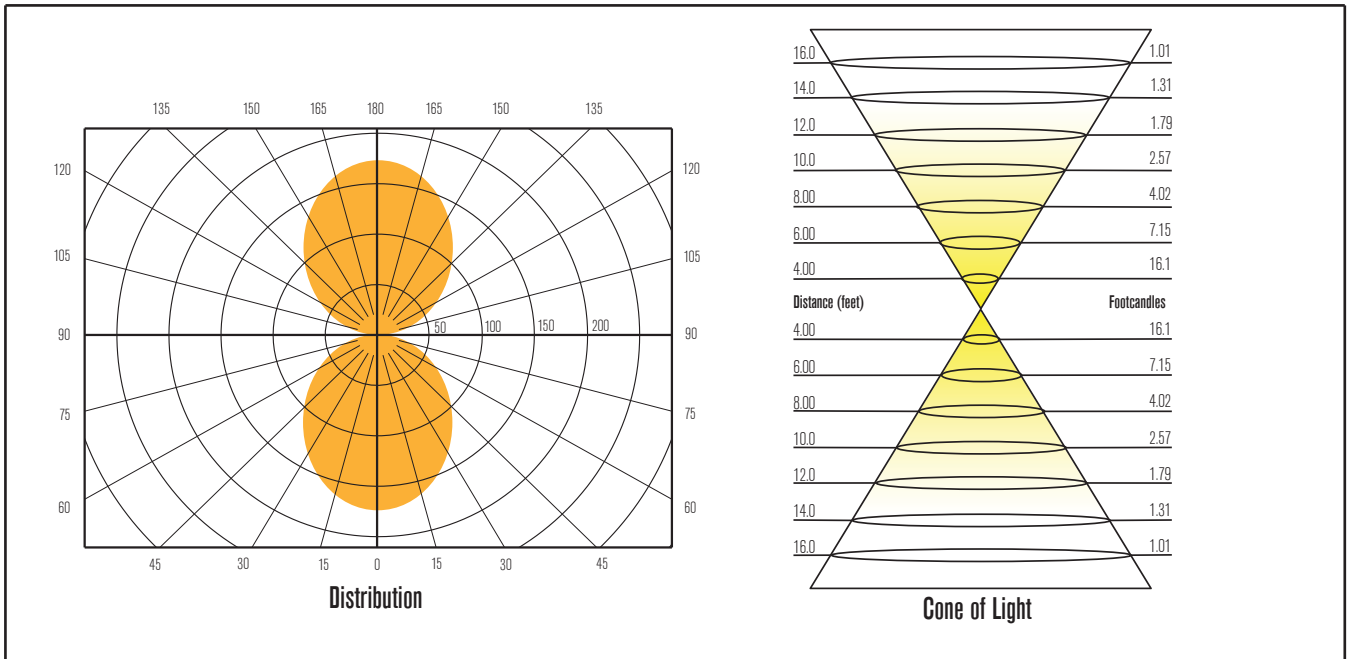
TANGENT-Shapes™

Photometric Information

IES files and full photometric reports are available for download on the VokSLyTE website: www.VokSLyTE.com/photometry/



Photometry above represents a 12-inch section of any of the Tangent™ Down Shapes luminaires.



Photometry above represents a 12-inch section of any of the Tangent™ UpDown Shapes luminaires.

Specifications

Luminaire - Extruded aluminum in baked powder coated finish as specified.

LED Light Engine - Luminus™ 2700°K, 3000°K, 3500°K, 4000°K or RGBW

Integral Driver - Constant current class 2 UL-8750 0-10 dimmable. Sound rated A - Complies with FCC 47 CFR Part 15.

Remote Driver - Constant voltage class 2 UL-Listed. 0-10 and DMX dimmable, Sound rated A - Complies with FCC 47 SW Part 15.